

## DM 328/GP320-340

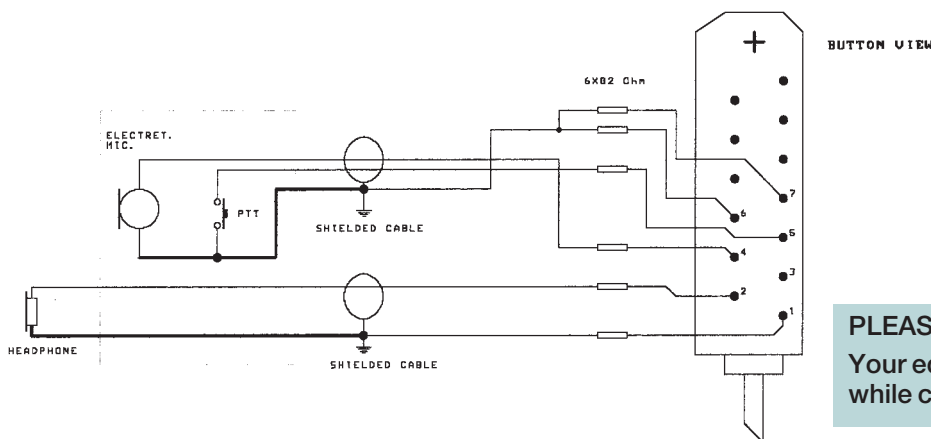
### "Portable Hands-Free" Microphone/Earpiece Set

#### DESCRIPTION:

- ★ "Portable Hands-Free" set for MOTOROLA GP320 and 340.
- ★ Light and comfortable – fits snugly into the ear.
- ★ Electret microphone with PTT switch.
- ★ Applicable for many other hands-free applications.
- ★ Supplied with connector fitting MOTOROLA GP320-340.

#### SPECIFICATIONS:

ELECTRICAL		
	MICROPHONE	SPEAKER
TYPE	Electret	Earphone
IMPEDANCE	1 k $\Omega$	8 $\Omega$
FREQ. RESPONSE	0.3–16 kHz	0.15–8 kHz
MECHANICAL		
CABLE	1.5 m	
CONNECTOR	Speaker/Microphone: Spec. Motorola plug	
TEMP. RANGE	Operating : -25° C to +55° C Storage : -40° C to +55° C	
COLOUR	Black	
WEIGHT	Approx. 40 g	



#### PLEASE NOTE:

Your equipment should be switched off while connecting this part.

